

STOPLESSFLY OPERATION PLAN

This Operation Plan consists of two parts:

1. Stoplessly services - our staff and supervisor support - managed by Stoplessly
2. Third party services – to support construction of Vertical Wind Tunnel arranged by the client

SETUP PLAN TIMELINE

Set up days	6 days
Operational Test	2 days

STOPLESSFLY TEAM

Supervisor	1 person	Controlling project
Electrical Engineer (Project Manager)	1 person	Controlling electrical works
Electrical Technicians	2 persons	Operating system
Mechanical Technicians	1 person	Controlling construction operations
Skydiver Trainer	1 person	Vertical Wind Tunnel Trainer
Total personnel:	6 persons	

THIRDPARTY TEAM

Installation personnel	5 persons	Supporting the installation and carrying out the directions given by Stoplessly Team
------------------------	-----------	--

ITEMS/DEVICES FOR INSTALLATION

Forklift (5 tons)	1 piece
Basket Crane (15 meters)	1 piece
Crane with Hook (4 tons - 15 meters)	1 piece

TECHNICAL INFORMATION

Maximum Persons to Fly	1 Instructor + 1 Trainee
Flight Area Diameter	2.8 meters
Average Power Consumption	560 kW
Transportation Volume	1 x 40 " HC
Height	10 meters
Product Base Diameter	13 meters

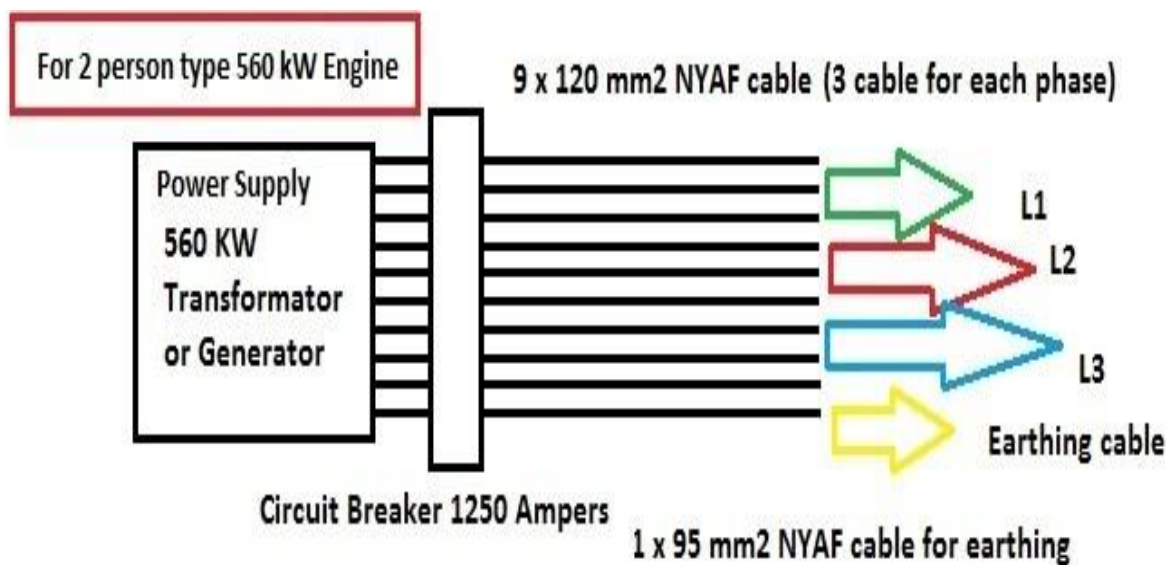
ELECTRICAL WORKS

Total electrical power demand is 560 kW AC, 3 Phase and Earth

Vertical wind tunnel can be connected to main power line via transformator

In case of using generator, it should be least 1250 kVA

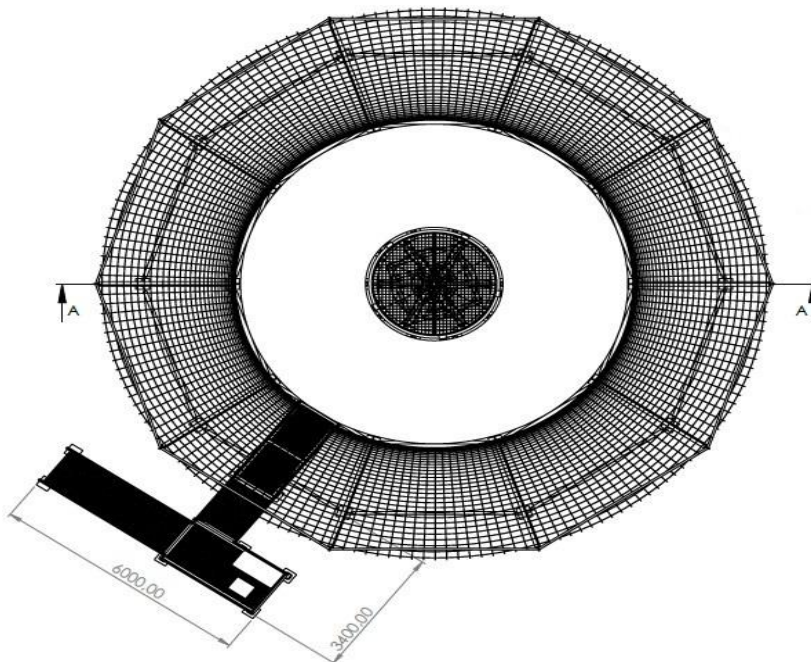
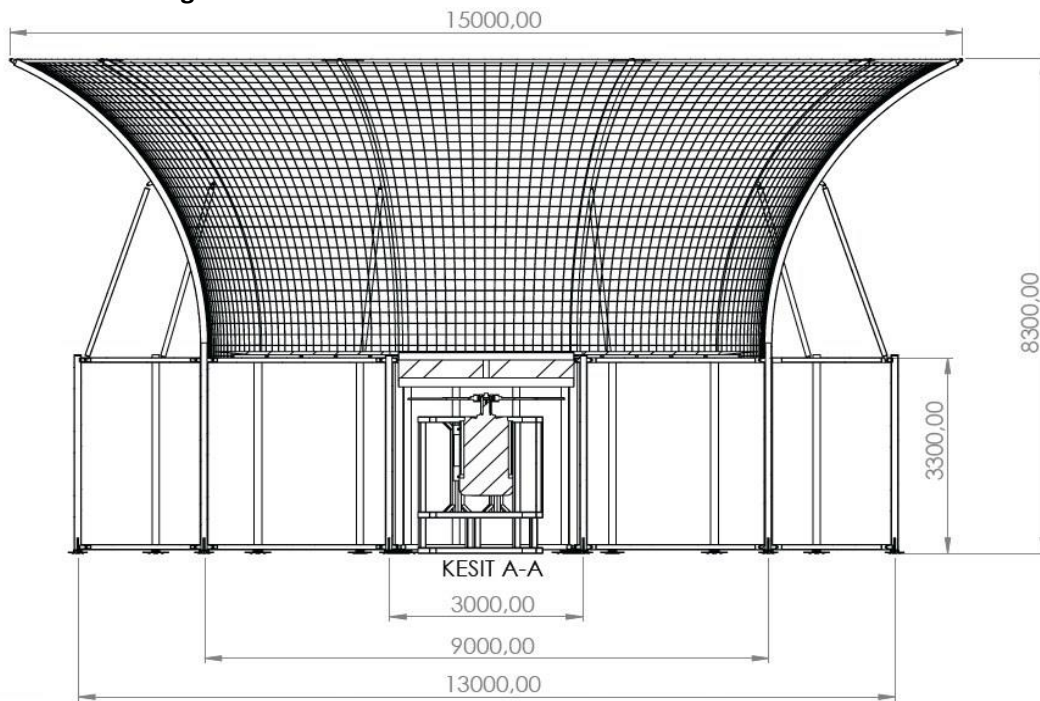
Details as follows:



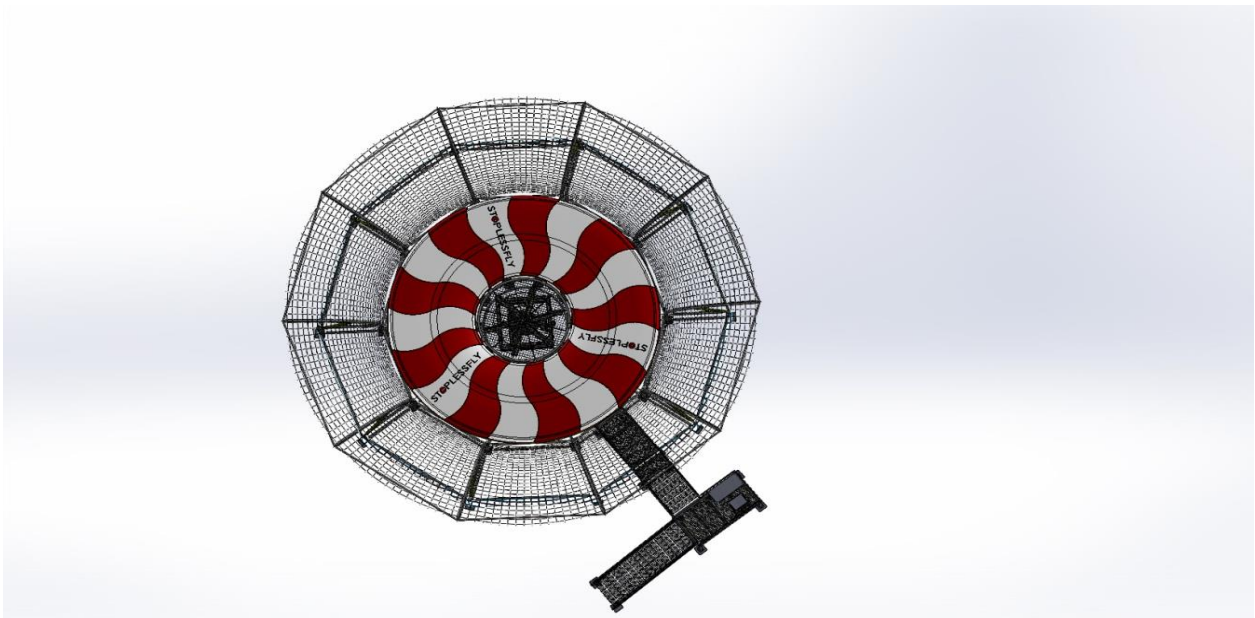
1. Preperation

A clean, flat area without slope that is 18 mt x 18 mt = 324 mt² is needed with minimum 10 cm thickness of C30 concrete for constructing the vertical wind tunnel

2. Technical Drawings



CIVIL WORKS - TECNICAL DRAWINGS



CERTIFICATES

FIRST QUALITY CERTIFICATION

FQOC
FIRST QUALITY CERTIFICATION

CERTIFICATE

This certificate is granted to the organization,

STOP GRUP A.Ş.

STOP GRUP GÜVENLİK SİSTEMLERİ İNŞAAT SANAYİ TİCARET ANONİM ŞİRKETİ

Güzelce Mahallesi İskenderun Caddesi No:6 Büyükkçekmece / İstanbul / Türkiye

VERTICAL WIND TUNNEL, FLIGHT SIMULATOR, BARRIER (HYDRAULIC BOLLARD BARRIER, FIXED BARRIER, ROAD TRAP, ROAD BLOCKER, ANTI TERRORIST ROAD INTERCEPTOR, ANTI TERRORIST ARM BARRIERS) METAL DOOR, WROUGHT IRON DOOR, AUTOMATIC DOOR, VEHICLE STOPPER, WIRE MESH, PANEL FENCE, PRODUCTION, INSTALLATION AND MAINTENANCE SERVICES OF ARTIFICIAL GRASS FENCE, STITCHED FENCE AND MACHINE TRACK PROTECTION FENCE

according to the scope,

ISO 45001:2018

to certify that Occupational Health and Safety System in accordance with standard's clauses is established and being implemented.

First Date of Issue : 18.03.2020
Date of Issue : 17.03.2023
Certificate Period : 3 Years
Reissue Due Date : 17.03.2024
Certificate No : 03.20.8405.5161

First Quality Certification System Certificate Approved
İstanbul, 2023.03.17

FQOC Global Sertifikasyon A.Ş.
Global Mahallesi İskenderun Caddesi No:12195 K:4 D:20-29 Büyükkçekmece / İSTANBUL / TÜRKİYE T. : +90 216 444 21 41 / +90 216 467 89 89 F. : +90 216 467 89 89
Bu belge, müşteri tarafından FQOC'ye karışdırılarak ve diğerlerine gösterilerek kullanılabilir. Sertifikasyon kuruluşu FQOC tarafından onaylanmıştır ve değiştirilebilir.
This document shall remain valid as long as the customer keeps FQOC logo and name and the contract. Certificate validity may be checked on FQOC website.
www.fqocbilgi.org info@fqocbilgi.org



CE UYGUNLUK BEYANI
CE DECLARATION OF CONFORMITY

STOP GRUP GÜVENLİK SİSTEMLERİ
İNŞ. SAN. VE TİC. A.Ş.

GÜZELCE MAH. İSKENDERUN CAD. NO:6
BÜYÜKKÇEKMECE/İSTANBUL/TÜRKİYE

that the following described product in our delivered version complies with appropriate basic safety and health requirements of **BUILDING MATERIALS REGULATION (2005/2011 / EU)** in its design and type, as brought into circulation by us. In Case of alteration of the product, not agreed upon by us, this declaration will lose its validity.

Teslim edilen versiyonumuzda aşağıda tanımlanan ürünün **YAPI MALZEMELERİ YÖNETMELİĞİ (2005/2011/AB)** esasını ve tipine göre tanımlanmış dolaşıma sokulan uygun temel güvenlik ve sağlık şartlarına uygun olduğunu beyan ederiz. Ürünün değiştirilmesi durumunda, tarafımızdan üzerine anlaşmaya varılmayan bu beyan geçerliliğini kaybedecektir.

Description Of The Product/Product Part	: VERTICAL WIND TUNNEL
Ürünün / Ürün Parça Tanımı	: DİKEY RÜZGAR TÜNELİ
Marka/Model/Tip	: UÇUŞ SİMULATÖRÜ
	: Body Flying (Skydiving),
	: Aerodynamic Simulator
Applicable EC Directives	: 305/2011/EU
Uygulanabilir Direktifler	
Applicable Harmonised Standards	: TS EN 61400-2SE K 515
Uygulanabilir Standartlar	: EN 61000-6-2:2019
Certificate Code	: STOP GRUP GÜVENLİK
Sertifika Kodu	
Certificate Number	: A152896
Sertifika Numarası	
Certificate Issue Date	: 29.07.2022
Sertifika Hazırlanma Tarihi	
Certificate Validity Date	: 29.07.2023
Sertifika Geçerlilik Tarihi	
EU Representative/AB Temsilcisi	
(Authorized Signature and Title)	
(Yetkili İmza ve Ünvanı)	

Sözleşme için yazılmış sertifikasyonla ve geleneksel yöntemlerle sağlanabilirliği müddetinde bu belge 1 yıl geçerlidir.
BEC sistemi sertifikasyonunda gerekli olan en üst düzeyde güvenliğe ilişkin teknik standartlara göre sertifikasyon kabul ettirilmemiştir. Bu belgeye müdahale edenler, aile ve sorumlulukta tutulabilir.

FIRST QUALITY CERTIFICATION

FQOC
FIRST QUALITY CERTIFICATION

CERTIFICATE

This certificate is granted to the organization,

STOP GRUP A.Ş.

STOP GRUP GÜVENLİK SİSTEMLERİ İNŞAAT SANAYİ TİCARET ANONİM ŞİRKETİ

Güzelce Mahallesi İskenderun Caddesi No:6 Büyükkçekmece / İstanbul / Türkiye

VERTICAL WIND TUNNEL, FLIGHT SIMULATOR, BARRIER (HYDRAULIC BOLLARD BARRIER, FIXED BARRIER, ROAD TRAP, ROAD BLOCKER, ANTI TERRORIST ROAD INTERCEPTOR, ANTI TERRORIST ARM BARRIERS) METAL DOOR, WROUGHT IRON DOOR, AUTOMATIC DOOR, VEHICLE STOPPER, WIRE MESH, PANEL FENCE, PRODUCTION, INSTALLATION AND MAINTENANCE SERVICES OF ARTIFICIAL GRASS FENCE, STITCHED FENCE AND MACHINE TRACK PROTECTION FENCE

according to the scope,

ISO 10002:2018

Customer Satisfaction Management System standards that meet the requirements of a management system are established and implemented to confirm.

First Date of Issue : 18.03.2020
Date of Issue : 17.03.2023
Certificate Period : 3 Years
Reissue Due Date : 17.03.2024
Certificate No : 01.20.8405.114008

First Quality Certification System Certificate Approved
İstanbul, 2023.03.17

FQOC Global Sertifikasyon A.Ş.
Global Mahallesi İskenderun Caddesi No:12195 K:4 D:20-29 Büyükkçekmece / İSTANBUL / TÜRKİYE T. : +90 216 444 21 41 / +90 216 467 89 89 F. : +90 216 467 89 89
Bu belge, müşteri tarafından FQOC'ye karışdırılarak ve diğerlerine gösterilerek kullanılabilir. Sertifikasyon kuruluşu FQOC tarafından onaylanmıştır ve değiştirilebilir.
This document shall remain valid as long as the customer keeps FQOC logo and name and the contract. Certificate validity may be checked on FQOC website.
www.fqocbilgi.org info@fqocbilgi.org

FIRST QUALITY CERTIFICATION

FOC
FIRST QUALITY CERTIFICATION

CERTIFICATE

This certificate is granted to the organization,

STOP GRUP A.Ş.

STOP GRUP GÜVENLİK SİSTEMLERİ İNŞAAT SANAYİ TİCARET ANONİM ŞİRKETİ

Güzelce Mahallesi İskenderun Caddesi No:6 Büyükkçekmece / İstanbul / Türkiye

VERTICAL WIND TUNNEL, FLIGHT SIMULATOR, BARRIER (HYDRAULIC BOLLARD BARRIER, FIXED BARRIER, ROAD TRAP, ROAD BLOCKER, ANTI TERRORIST ROAD INTERCEPTOR, ANTI TERRORIST ARM BARRIER) METAL DOOR, WROUGHT IRON DOOR, AUTOMATIC DOOR, VEHICLE STOPPER, WIRE MESH, PANEL FENCE, PRODUCTION, INSTALLATION AND MAINTENANCE SERVICES OF ARTIFICIAL GRASS FENCE, STITCHED FENCE AND MACHINE TRACK PROTECTION FENCE

EA 14, 17, 18, 19, 28

according to the scope,

ISO 9001:2015

to certify that Quality Management System in accordance with standard's clauses is established and being implemented.

First Date of Issue : 18.03.2020
Date of Issue : 17.03.2023
Certificate Period : 3 Years
Reissue Due Date : 17.03.2024
Certificate No : 01.20.8405.114007.D

First Quality Certification System Certificate Approved
Maltepe / İstanbul / Türkiye

IAF
INTERNATIONAL ASSOCIATION OF CERTIFICATION BODIES

DAKKS
Deutsche Akkreditierungsstelle
D-20147-01-00

FOC India & Head Office
FOC First Quality Certification Pvt. Ltd.
300 27, Sector-10, Phase-1, Noida-201301, Noida, India
T: +91 172 6230275 F: +91 172 4418931
www.fqc.com info@fqc.com

FOC Turkey & Critical Location
FOC Global Certification A.Ş.
Cıvıllı Mah. Toroslar Cad. No:12/13 Kat:4 D: 20-23 Maltepe / İstanbul / Türkiye
T: +90 216 844 21 41 F: +90 216 827 88 88
www.fqcglobal.org info@fqcglobal.org

Bu belge, mülkiyeti FOC'ne kalmıştır ve silinmesi halinde, yasa dışı olarak geçerli. Sertifikasyon durumu FOC' nin internet sitesinden takip edilebilir.
This document shall remain valid as long as the customer observes FOC rules and terms of the contract. Certificate validity may be checked on FOC website.

FIRST QUALITY CERTIFICATION

FOC
FIRST QUALITY CERTIFICATION

CERTIFICATE

This certificate is granted to the organization,

STOP GRUP A.Ş.

STOP GRUP GÜVENLİK SİSTEMLERİ İNŞAAT SANAYİ TİCARET ANONİM ŞİRKETİ

Güzelce Mahallesi İskenderun Caddesi No:6 Büyükkçekmece / İstanbul / Türkiye

VERTICAL WIND TUNNEL, FLIGHT SIMULATOR, BARRIER (HYDRAULIC BOLLARD BARRIER, FIXED BARRIER, ROAD TRAP, ROAD BLOCKER, ANTI TERRORIST ROAD INTERCEPTOR, ANTI TERRORIST ARM BARRIER) METAL DOOR, WROUGHT IRON DOOR, AUTOMATIC DOOR, VEHICLE STOPPER, WIRE MESH, PANEL FENCE, PRODUCTION, INSTALLATION AND MAINTENANCE SERVICES OF ARTIFICIAL GRASS FENCE, STITCHED FENCE AND MACHINE TRACK PROTECTION FENCE

EA 14, 17, 18, 19, 28

according to the scope,

ISO 14001:2015

to certify that Environmental Management System in accordance with standard's clauses is established and being implemented.

First Date of Issue : 18.03.2020
Date of Issue : 17.03.2023
Certificate Period : 3 Years
Reissue Due Date : 17.03.2024
Certificate No : 02.20.8405.7429.D

First Quality Certification System Certificate Approved
Maltepe / İstanbul / Türkiye

IAF
INTERNATIONAL ASSOCIATION OF CERTIFICATION BODIES

DAKKS
Deutsche Akkreditierungsstelle
D-20147-01-00

FOC India & Head Office
FOC First Quality Certification Pvt. Ltd.
300 27, Sector-10, Phase-1, Noida-201301, Noida, India
T: +91 172 6230275 F: +91 172 4418931
www.fqc.com info@fqc.com

FOC Turkey & Critical Location
FOC Global Certification A.Ş.
Cıvıllı Mah. Toroslar Cad. No:12/13 Kat:4 D: 20-23 Maltepe / İstanbul / Türkiye
T: +90 216 844 21 41 F: +90 216 827 88 88
www.fqcglobal.org info@fqcglobal.org

Bu belge, mülkiyeti FOC'ne kalmıştır ve silinmesi halinde, yasa dışı olarak geçerli. Sertifikasyon durumu FOC' nin internet sitesinden takip edilebilir.
This document shall remain valid as long as the customer observes FOC rules and terms of the contract. Certificate validity may be checked on FOC website.